

Scotts

SS-2 36 Inch Professional Drop Spreader

Assembly, Use and Care

Thank You!

You have purchased the highest quality professional drop spreader available on the market today. The SS-2 is the accumulated refinement of proven performance and will provide you with years of trouble-free service. In the event you should have any questions or comments, please call our professional support staff.

Our telephone number is **1-800-543-8873.**

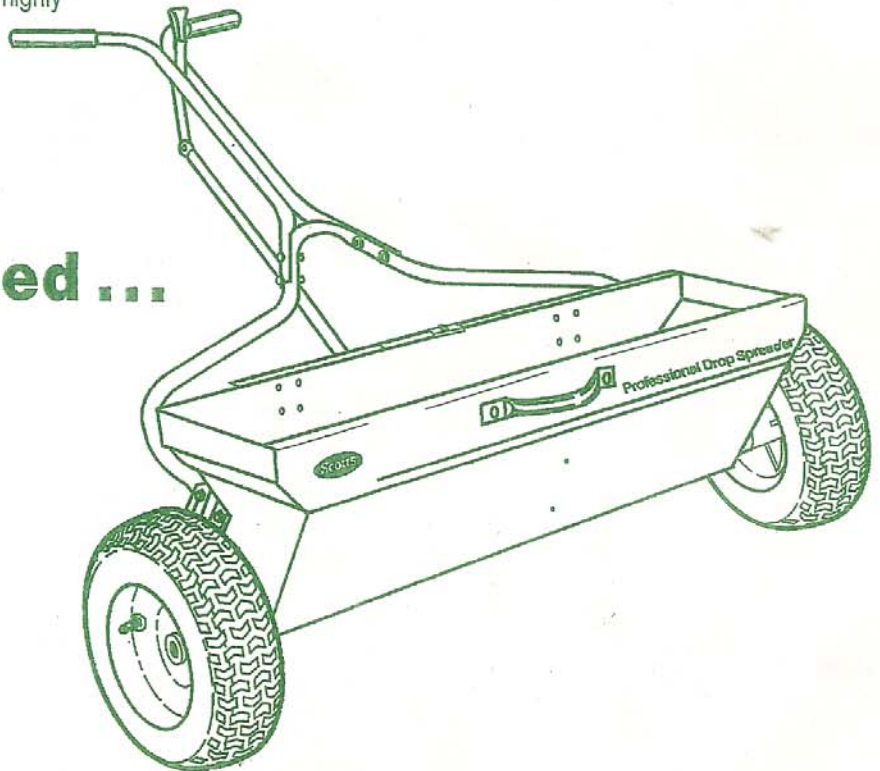
Before You Begin ...

To assemble your new spreader, we highly recommend that you read all instructions thoroughly, familiarize yourself with the assembly and components, and verify that all parts are included in this package.

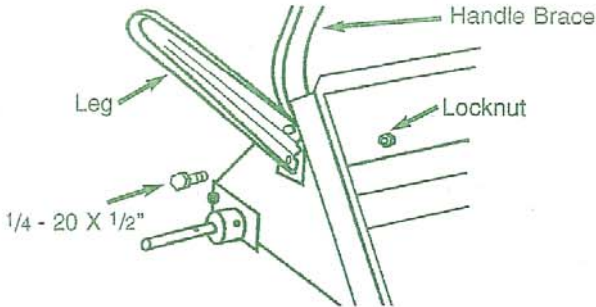
You Will Need ...

The following tools:

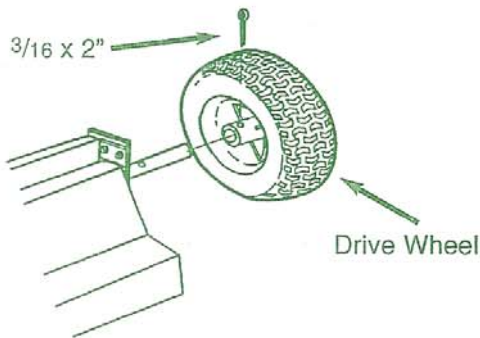
- 1/2" and 7/16", open-end wrenches (or an adjustable wrench)
- Pliers
- Phillips head screwdriver
- Grease gun



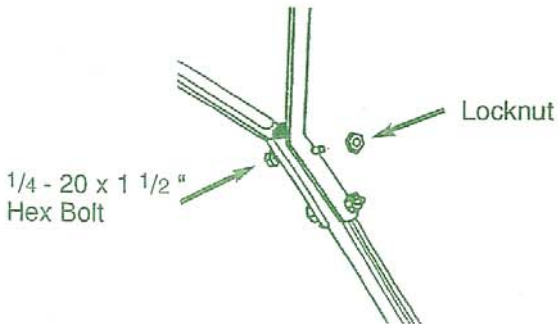
Assembly



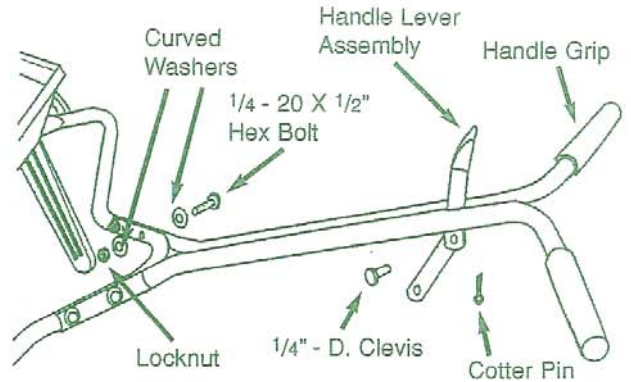
1 Remove spreader and components from carton. Place hopper on its front panel, insert two 1/4-20 X 1/2" hex head bolts through the leg; flattened end of handle brace and holes in hopper as shown. Install hex locknuts but do not tighten. Repeat on opposite side.



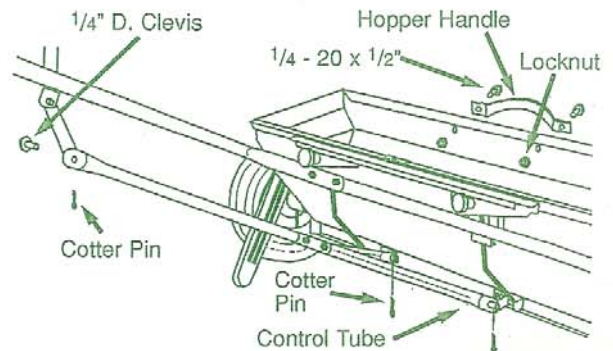
2 Slide wheels onto each end of axle with the longer portion of the wheel facing the hopper. Secure wheels with 3/16 dia. x 2" cotter pins.



3 Install control tube between the control tube braces and secure with two 1/4-20 X 1 1/2" hex bolt and locknuts.



4 Stand spreader upright on wheels. Attach upper handle assembly to handle brace (make sure handle is positioned as shown) using four 1/4-20 X 1 1/2" hex bolts, eight curved washers, and four locknuts. Tighten securely. Install handle grips onto upper handle. Slide handle lever assembly between handle brackets and secure with 1/4 diameter clevis and cotter pin. Make sure lever pivots freely.



5 Slide the ends of the control tube braces over the studs on the shutoff bar brackets; secure with cotter pins. Attach opposite end of control tube to the handle lever using 1/4 diameter clevis and cotter pin. Make sure handle lever operates freely. **Tighten all Nuts left loose in Step #1.** Install hopper handle on front of spreader using two 1/4-20 X 1 1/2" hex bolts and locknuts.

6 To check spreader for completed shutoff, pull the handle lever back to the "OFF" position. Turn spreader over to see if the shutoff bar completely covers the holes in the bottom of the hopper. If not, stand the spreader upright on wheels and push the handle lever forward to the "ON" position. Loosen the bolts in the hopper holding the handle brace. Push down on the handle brace and the front of the Hopper. Retighten bolts and check the shutoff.

Operation

1) Before filling hopper, make sure spreader handle lever is in the "OFF" position. Always fill spreader on sidewalk or drive, not on the lawn.

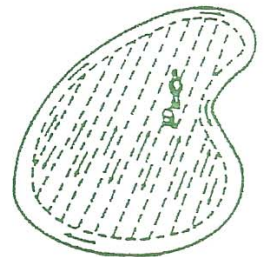
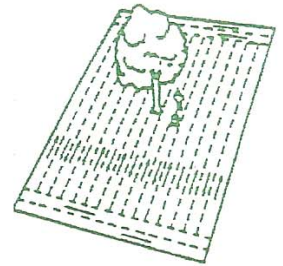
2) Loosen rate control knobs and move the tie bar to setting recommended for the product applied. Retighten knobs. If setting is not known, refer to "Determining Application Rates" section of this book.

3) Always push spreader, do not pull. Start spreader in motion and as it passes over the area to be treated, push handle lever to the "ON" position. Close handle lever at the end of each pass.

4) Operate spreader at 3 MPH pace. (33.3 feet in 7.5 seconds)

5) Apply two header strips at each end of area to be treated and then proceed lengthwise between the header strips. Be sure to overlap the wheel tracks slightly to prevent streaking.

6) When applying lime, do not use limestone that is so finely ground that it will pack inside the hopper, or use hard, abrasive particles which will damage the spreader. Use only compacted, free-flowing, non-abrasive lime products.



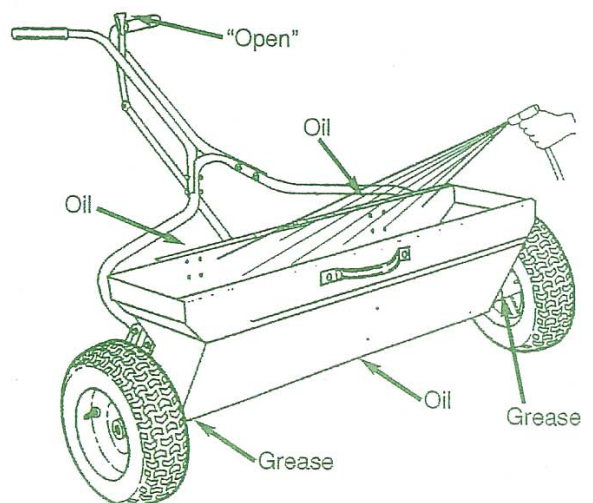
Determining Application Rates

The following procedure provides a means of accurately determining drop spreader settings when settings do not appear on the package, or to "fine tune" the manufacturer's recommended settings. Spreader rates can vary due to walking speed, condition of turf, humidity, physical characteristics of the product being applied, or condition of the spreader. It is good practice to double check settings using the following method:

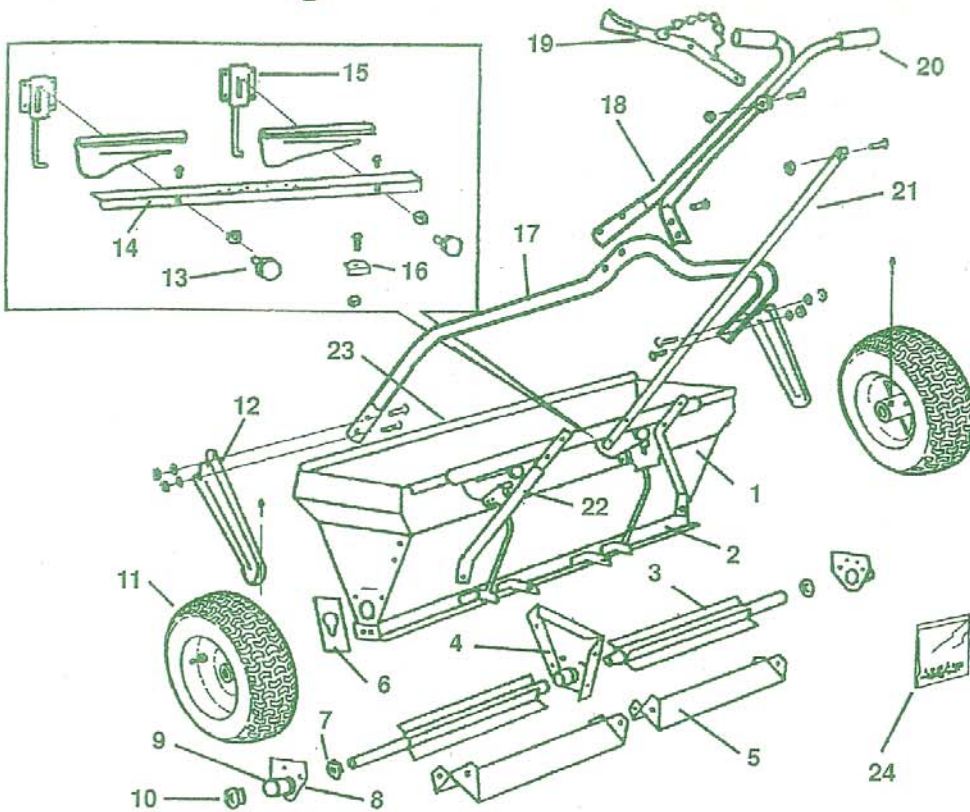
PROCEDURE	EXAMPLE
1) The manufacturer will recommend coverages on the product package. Generally, it is stated as applying a certain number of pounds of product per 1,000 square feet.	The contents of this package (25 lbs.) covers 2,000 square feet.
2) Determine the amount of material in pounds to cover 100 square feet. Add two zeros to weight of bag and divide that by the square foot coverage.	2,500 divided by 2,000 square feet = 1.25 lbs.
3) To change the decimal portion of answer in step #2 to ounces, multiply decimal portion by 16.	0.25 x 16 oz. = 4 oz. Total weight = 1 lb.- 4 oz.
4) On a clean sidewalk or driveway, measure out 33.3 feet - the distance required to cover 100 square feet.	
5) Add a measured amount of product to the spreader - 2 to 3 times the recommended rate. Operate spreader at a brisk walking speed (3 mph of 33.3 feet in 5 seconds) over the measured distance. Empty the spreader and weigh the amount left. Compare with the beginning amount; the difference is the amount applied. Adjust the setting up or down to achieve the correct application rate.	

Maintenance

- 1) Never store unused material in spreader. Return unused product to its original container.
- 2) Set rate slide on the highest number, open spreader and spin wheels to remove excess material.
- 3) Wash out hopper thoroughly after each use to remove material clinging to surfaces. Pay close attention to area between the shutoff bar and hopper. Allow spreader to completely dry.
- 4) Oil bottom of hopper, control housing spring and agitators at the center bearing. Lubricate axle.



Parts Diagram - SS-2



Parts List

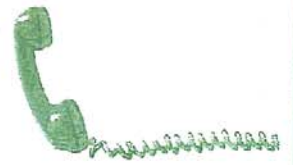
ITEM	PART NO.	DESCRIPTION
1	14475-1	HOPPER ASSEMBLY
2	14479-1	SHUTOFF BAR ASSEMBLY
3	14228-1	AGITATOR/AXLE ASSEMBLY LH. & RH.
4	14231	BEARING SUPPORT ASSEMBLY
5	14235	AGITATOR BAFFLE
6	14227	END HANGER
7	14007	AXLE GREASE SEAL
8	14222-1	PLATE ASSEMBLY-BEARING END
9	90005	GREASE FITTING
10	14006	AXLE BEARING
11	15043	WHEEL & TIRE ASSEMBLY
12	12714	LEG
13	12704	RATE CONTROL KNOB
14	14237	TIE BAR
15	14286	SPRING HOUSING ASSEMBLY
16	12708	POINTER
17	15029-1	HANDLE BRACE
18	15046	UPPER HANDLE ASSEMBLY
19	14047	HANDLE LEVER ASSEMBLY W/ CHAIN
20	14870	HANDLE GRIP
21	14415-1	CONTROL TUBE
22	14409	CONTROL TUBE BRACE
23	15048	HOPPER HANDLE
24	14242-3	FASTENER PACKAGE

Ordering Parts

Extra parts may be obtained at current prices. When ordering parts, be sure to include:

- 1) Spreader model number (8008-1)
- 2) Spreader model name (SS-2)
- 3) Part number
- 4) Description of part (refer to list)

Call 1-614-559-2705 to order parts. (Note: Sales of parts for Scotts professional spreaders are handled by PSB Company.)



For More Information Call...

1-800-543-8873

The Scotts' Helpline.

This helpline is provided to give you more information about Scotts' Products.



Or Visit Our Website At...

www.scottscountry.com



The Scotts Company
14111 Scottslawn Rd.
Marysville, OH 43041