



# SR 2000

Professional Rotary Spreader

## Assembly, Use and Care

### *Thank You!*

You have purchased the highest quality professional broadcast spreader available on the market today. The SR-2000 is the accumulated refinement of proven performance and will provide you with years of trouble-free service. In the event you should have any questions or comments, please call our professional support staff.

Our toll-free number is **1-800-225-2639.**

### Before You Begin ...

To assemble your new spreader, we highly recommend that you read all instructions thoroughly, familiarize yourself with the assembly and components, and verify that all parts are included in this package.

### You Will Need ...

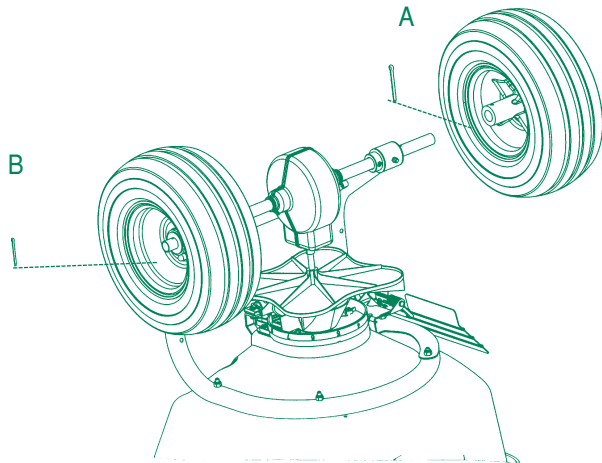
The following tools:

- 1/2" and 7/16" and 3/8", open-end wrenches (or an adjustable wrench)
- Pliers
- Phillips head screwdriver
- Grease gun

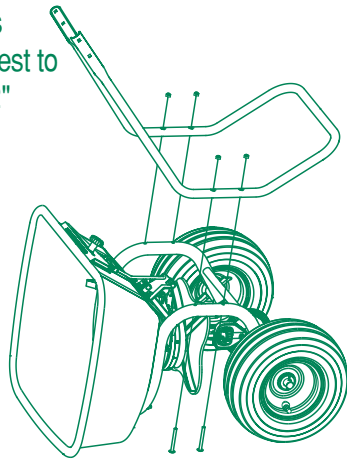


# Assembly

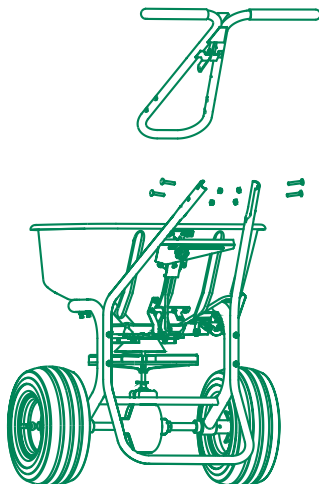
- 1** Turn the spreader upside-down. Place the wheels on the axle with the longer portion of the hubs facing inward. Secure the drive wheel A (right side) to the axle using the 3/16" cotter pin. Attach the idler wheel B (left side) to the axle. Then insert the 1/8" cotter pin through the axle and secure.



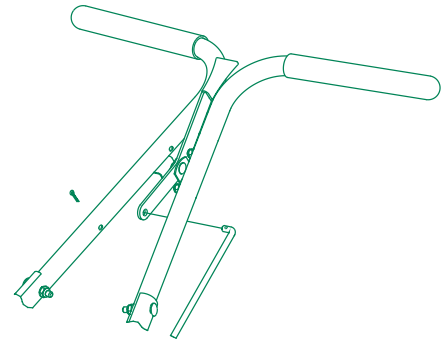
- 2** Place the spreader on its front side and attach the rest to the frame using four 2 1/2" Phillips screws and four locknuts.



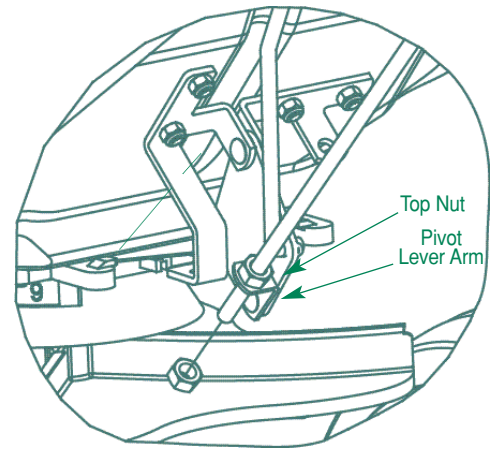
- 3** Return the spreader to the upright position and attach the handle to the rest with four 1 1/2" carriage bolts and four lock nuts. Be sure that the main shutoff lever is facing up.



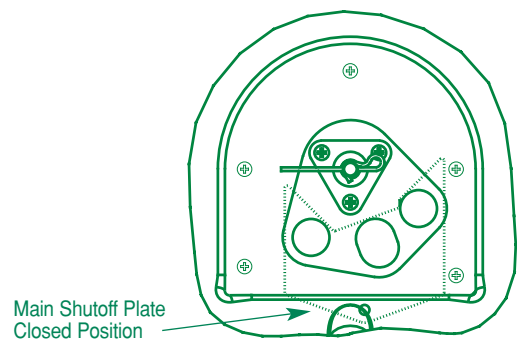
- 4** Place the bent end of the main shutoff connecting rod through the hole in the lever and secure it with a cotter pin on the right side.



- 5** Thread one hex nut onto the lower end of the main shutoff control rod until it stops. Insert the rod through the pivot lever arm, as shown, and thread the second nut up to the pivot lever arm; do not tighten.

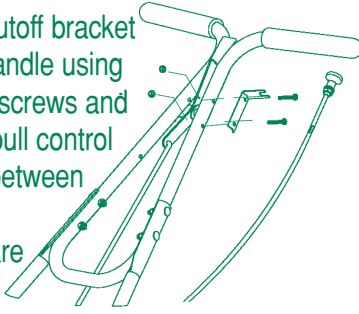


- 6** Pull the main shutoff lever to the closed position and look inside to see if the port holes are closed. If not, adjust the top nut down in small increments and check for closure. **CAUTION - DO NOT ADJUST THE TOP NUT TOO FAR DOWN TO PREVENT BINDING THE MECHANISM.** When the ports close completely, bring the bottom nut up and tighten both.

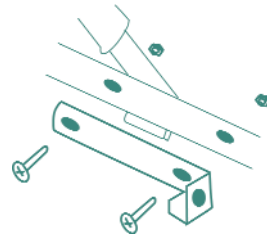


# Assembly continued

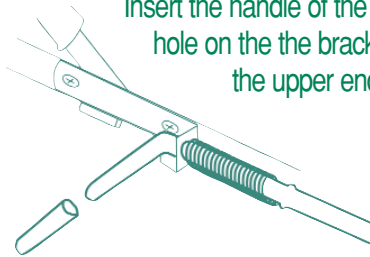
**7** Attach the auxiliary shutoff bracket to the left side of the handle using the two 1 1/4" Phillips screws and two lock nuts. Slide the push-pull control into the notch on the bracket between the washer and the hex nut. Tighten the nut while taking care not to twist the cable. Secure cable to frame with wire tie.



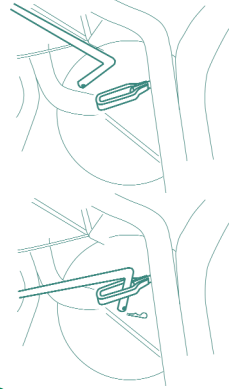
**8** Attach lever bracket to the handle using the two 1 1/4" Phillips screws and two lock nuts. Be sure that the bracket is aligned as shown in the diagram.



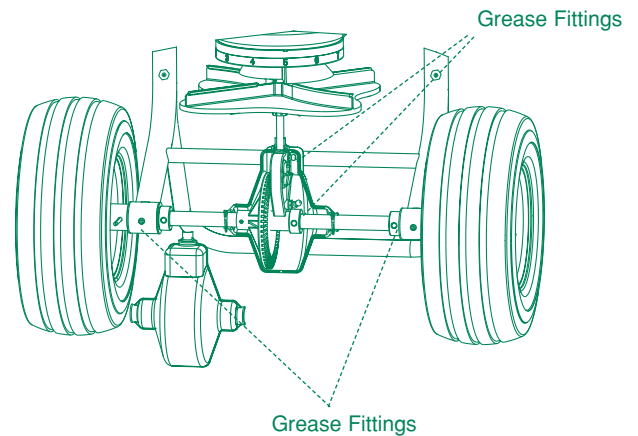
Place the spring on the deflector control rod as shown. Insert the handle of the deflector control rod through the hole on the the bracket. Slide the rubber cap onto the upper end of the rod.



**9** To secure deflector shield to the deflector control rod, insert lower end of deflector control rod into the loop end of the deflector shield assembly. Test control rod by moving up and down - the deflector shield should also move up and down. Secure lower end of control rod with hitch pin.



**10** Using a grease gun, lubricate the grease fittings on the axle bearing housings and gear carrier. Apply a small amount of grease to the gear teeth. Install the two gearbox cover halves and secure with the three retainer clips. Insert the screen inside the hopper and secure it with factory installed clips.



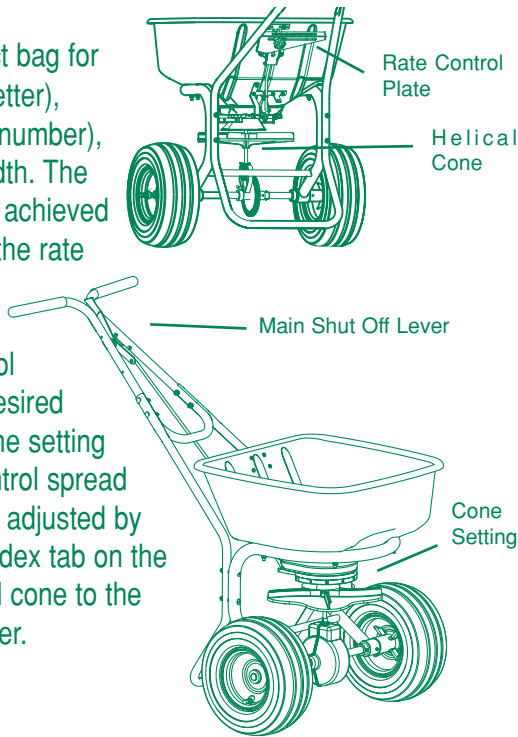
# Maintenance

- 1)** Empty the spreader after each use. Return the unused material to its original container and seal to prevent moisture-caused clumping.
- 2)** Wash the spreader thoroughly and dry in sunny or heated area. Wipe or blow off excess water to prevent corrosion. Clean all residue from rotor plate.
- 3)** Periodically grease the axle bearing housings as indicated in assembly step #9.
- 4)** Periodically oil the pivot points on all control linkage, the deflector shield, and the spring inside the rate control housing.
- 5)** Periodically clean and inspect the gears by removing the gearbox cover halves. Apply a small amount of grease to the gear teeth for lubrication. Apply grease at the gear carrier fittings indicated in assembly step #9. Be sure to reinstall gearbox cover halves prior to use.
- 6)** Maintain tire pressure at 20 psi maximum.
- 7)** If the axle requires disassembly, be sure to reassemble it so the drive wheel attaches on the right side. Incorrect spread patterns will result if the rotor plate does not rotate in a counter-clockwise direction.

# Operation

## HOW TO USE

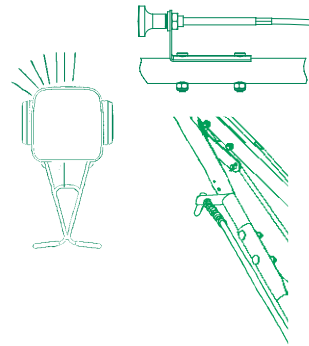
- 1) Check product bag for rate setting (letter), cone setting (number), and swath width. The rate setting is achieved by loosening the rate control knob and sliding the rate control plate to the desired letter. The cone setting is used to control spread pattern and is adjusted by rotating the index tab on the orange helical cone to the desired number.



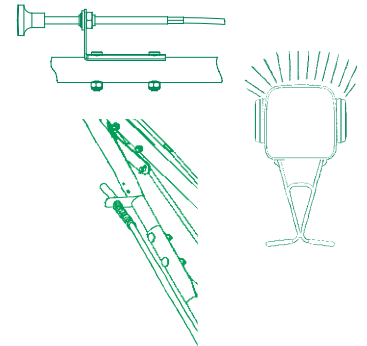
- 2) Pull the main shutoff lever to the closed position before filling the hopper.
- 3) Start rolling the spreader forward before opening the ports; close ports before stopping.
- 4) Hold handle so that the hopper is level. Tipping the spreader too far forward or backward will cause uneven spreading.
- 5) Use the swath width recommended on the bag for your spreader model and push the spreader at 3 mph (a brisk walking pace). Apply material only in the forward direction - not while pulling.
- 6) The settings given on the product label are recommended starting points. **Test rate and pattern on a small area before treating a large area. Actual application rate can vary depending on weather, spreader condition, and walking speed.**

- 7) The deflector shield is used to block off the right side portion of the swath width. It should be used in the 'on' position together with the auxiliary shutoff in the closed position (done by pushing the control knob forward). **IMPORTANT: Turf product will be applied excessively at the center of the swath if the auxiliary shutoff is not closed when deflector is in use. Always remember to re-open the auxiliary shutoff (by pulling the control knob back) when returning to a full swath width.**

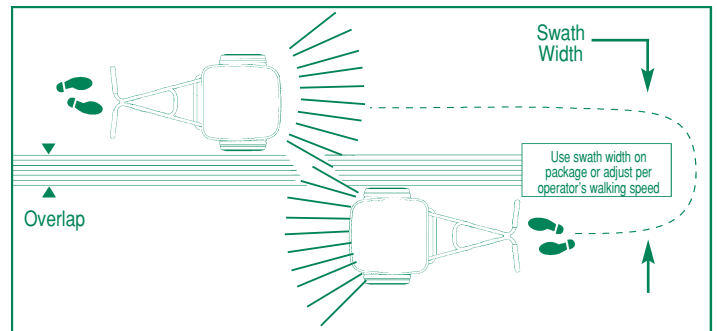
### DEFLECTOR ON (DOWN)



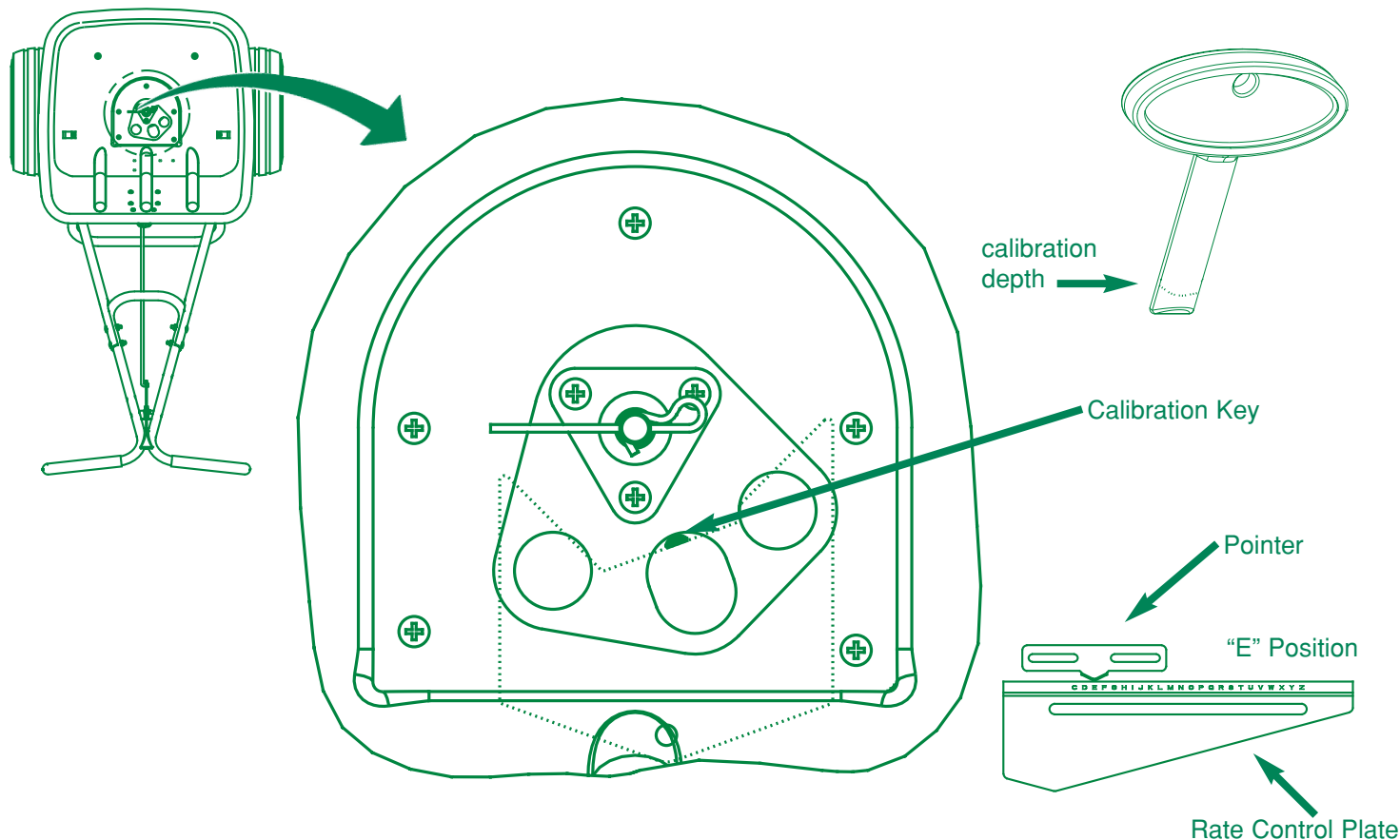
### DEFLECTOR OFF (UP)



- 8) A hopper cover is provided with your new spreader. Use it to protect turf product inside the hopper from light rain or windy conditions during transportation.



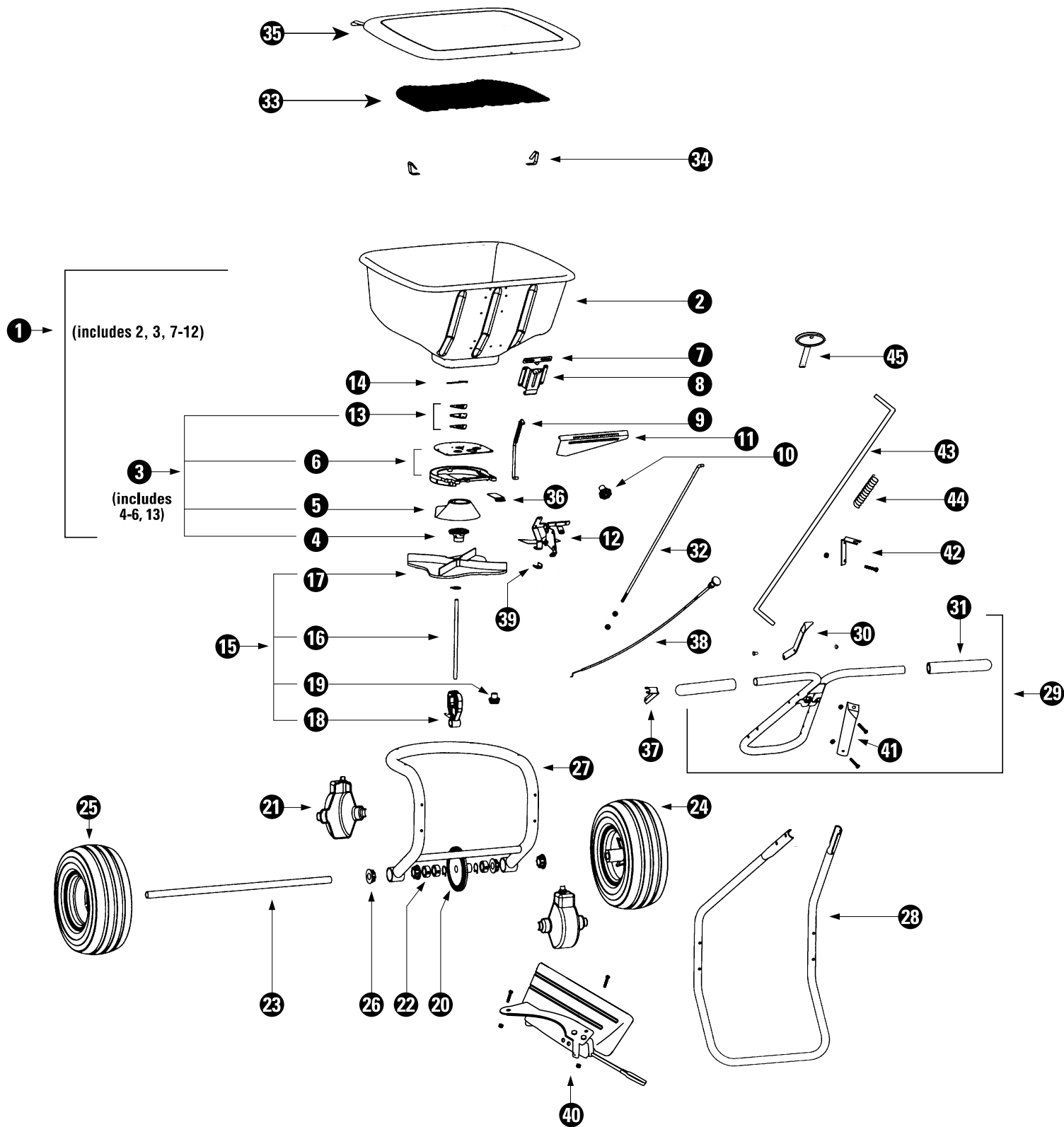
# Calibration Instructions



*Your professional spreader has been factory calibrated. For best results, occasionally check calibration and adjust if necessary.*

- 1)** Set the rate control plate to the “E” position.
- 2)** Push the main shutoff lever to the OPEN position.
- 3)** Insert the calibration key vertically into the center port hole, as shown in the accompanying diagram.
- 4)** If the calibration key fits snugly, the spreader is properly calibrated. If not, continue with steps 5-12.
- 5)** Loosen the rate control knob and slide the rate control plate all the way to the left.
- 6)** Insert the calibration key as described in Step #3.
- 7)** Pull the main shutoff lever back to ease the shut-off plate against the calibration key. Use the main shut-off lever to hold the calibration key in place.
- 8)** Slide the rate control plate to the right until it comes in contact with the protruding end of the rate control rod.
- 9)** Tighten the rate control knob.
- 10)** Remove the calibration key and pull the main shut-off lever to the closed position.
- 11)** Loosen the nuts securing the rate control pointer and slide the pointer so that it centers on the “E” setting of the rate control plate.
- 12)** Re-tighten the nuts on the pointer.

# Parts Diagram - SR-2000



# Ordering Parts

See diagram for assistance in identifying specific parts.

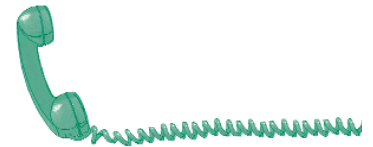
For parts orders, call 1-614-559-2705. (Note: Sales of parts for Andersons spreaders are handled by PSB Company.)

**IMPORTANT: When ordering replacement parts, always provide the following information:**

- 1) Part number (DO NOT use key numbers when ordering parts. ALWAYS use part numbers.)
- 2) Part description
- 3) SR-2000 Model #APT8091-3

KEY #	PART DESCRIPTION	PART #
1	Hopper Assembly	791036
2	*Hopper	790115
3	*Helical Cone Assembly	780945
4	Helical Cone Retainer/Bearing Shield	792001
5	Helical Cone	780941
6	Shutoff Plate Retainer/Shutoff Plate Base	792002
7	*Pointer	790340
8	*Rate Control Housing	790321
9	*Rate Control Rod Assembly	790395
10	*Rate Control Knob/Washer	792003
11	*Rate Control Plate	790330
12	*Pivot Lever/Main Shutoff Plate Assembly	790266
13	*Agitator Bearing, Set	792004
14	Agitator Pin	780100
15	Rotor and Gear Carrier Assembly	780195
16	Rotor Shaft	790020
17	Rotor Plate	780191
18	Gear Carrier, Complete	780155
19	Pinion Gear	780122
20	Ring Gear	780121
21	Gearbox Cover Half (set of 2)	780110
22	Axle Collar (each)	780200
23	Axle, Complete	790015
24	Drive Wheel	790120
25	Idler Wheel	790130
26	Axle Bearing (set of 4)	790151
27	Frame Assembly (includes 26)	790046
28	Rest	790060
29	Handle Assembly (includes 30, 31)	790076
30	Main Shutoff Lever	790215
31	Hand grips (set of 2)	1000061
32	Main Shutoff Control Rod	790250
33	Hopper Screen	790141
34	Hopper Screen Clip (set of 2)	780440
35	Hopper Cover	790161
36	Auxiliary Shutoff Plate	780220
37	Auxiliary Shutoff Cable Bracket	790550
38	Auxiliary Shutoff Control Cable	790490
39	Auxiliary Shutoff Clamp	790560
40	Deflector Shield, Complete	1000060
41	Deflector Bracket Assembly	1000058
42	Deflector Lever Bracket	1000059
43	Deflector Control Rod	1000053
44	Spring for Deflector Rod	1000052
45	Calibration Key (see calibration instructions)	791082

All part and subassembly kits include necessary fasteners and assembly instructions.  
\*Indicates parts included with hopper assembly



**For More Information Call . . .**

**1-800-225-2639**

The Andersons' toll-free ProTurf Helpline. This helpline is provided to give you more information on Andersons Professional Products.



**Or Visit Our Website At ...**

[www.andersonsinc.com](http://www.andersonsinc.com)



The Andersons, Inc.  
480 W. Dussel Dr.  
Maumee, OH 43537



It is our first priority to improve our products' quality  
and performance whenever possible.  
Your comments and questions are always welcome -  
please call our Helpline: **1-800-225-2639**.

**Or Visit Our Website At ...**

**[www.andersonsinc.com](http://www.andersonsinc.com)**

**The Andersons, Inc.  
480 W. Dussel Drive  
Maumee, OH 43537**